

Air Riveters

Angle types

- ▶ Riveting in narrow space
- ▶ Riveting in corner
- ▶ Riveting in wrong position
- ▶ The head that 360° turn enables a work with more suitable posture and expects to improve of production efficiency and quality.

AR041A-90 · AR041A-45 · AR041A-00

Riveting Capacity 2.4 3.2 4.0 4.8

- Using magnesium alloy frame and air cylinder to reduce weight
- Easy to use for riveting.

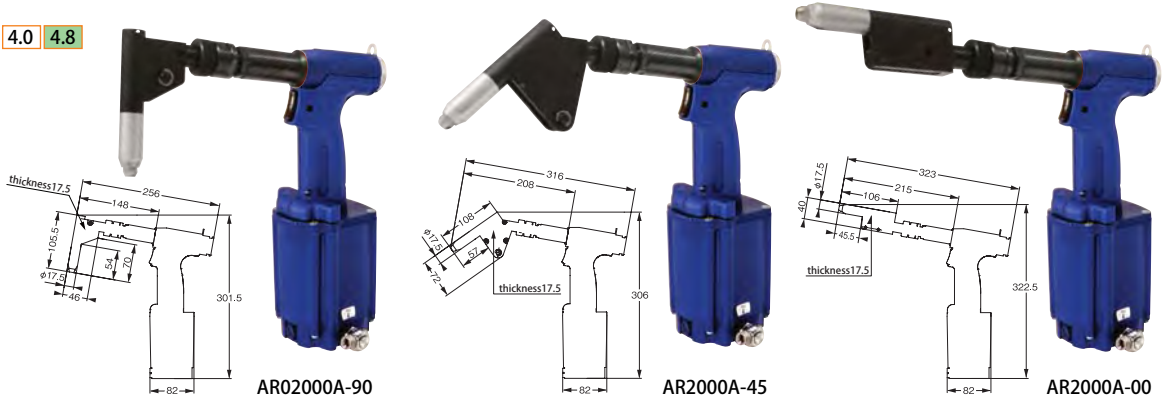
■ Cannot be used with ϕ 4.8 stainless steel blind rivets.



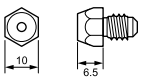
AR2000A-90 · AR2000A-45 · AR2000A-00

Riveting Capacity 2.4 3.2 4.0 4.8

■ Cannot be used with ϕ 4.8 stainless steel blind rivets.



NOSE PIECE



AR-041A-90
AR-041A-45
AR-041A-00
AR-2000A-90
AR-2000A-45
AR-2000A-00

MODEL	Riveting Capacity ϕ mm					Traction Power N(kgf)	Stroke mm	Working Air Pressure MPa(kgf/cm ²)	Air Consumption	Weight kg	Jaws
	2.4	3.2	4.0	4.8	6.4						
AR-041A-90	○	○	○	△	—	8,000 (816)	16.0	0.49~0.59 (5.0~6.0)	1.5 L/rivet	1.55	S
AR-041A-45	○	○	○	△	—					1.67	
AR-041A-00	○	○	○	△	—					1.61	
AR-2000A-90	○	○	○	△	—	8,024 (819)	16.0	0.49~0.59 (5.0~6.0)	1.7	1.75	S
AR-2000A-45	○	○	○	△	—					1.87	
AR-2000A-00	○	○	○	△	—					1.81	

*△ Cannot be used with stainless steel rivets.



上海徽宇电子科技有限公司

Shanghai Huiyu Electronic Technology Co., Ltd.